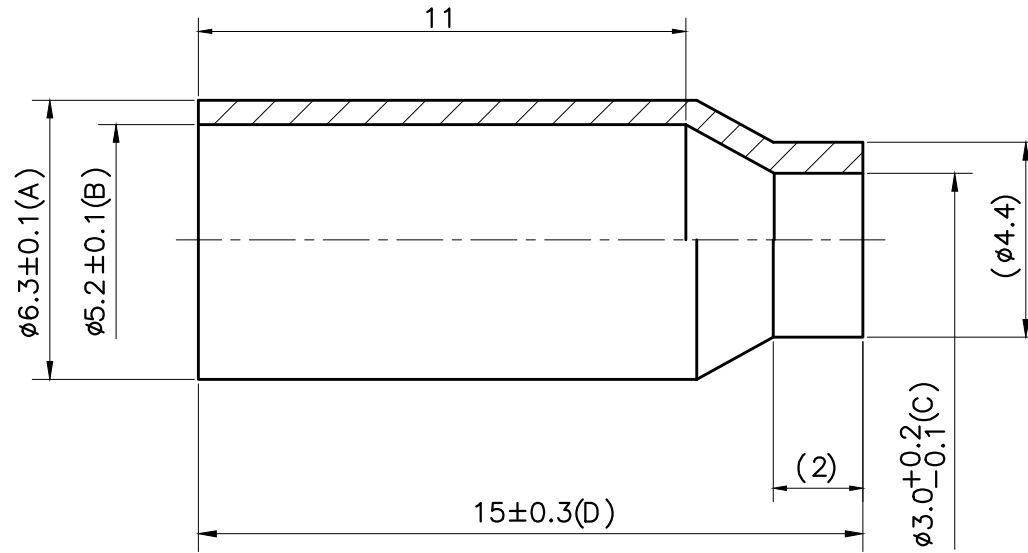


REVISIONS	
ISS	DESCRIPTION \ DATE
	08/20/03"



CONNECTORS CABLES



SPECIALISTS LTD.

APRD:	UNLESS OTHERWISE SPECIFIED TOLERANCES 0.5-6 = $\pm 0.1$ >6-30 = $\pm 0.2$ >30-120 = $\pm 0.3$ >120-315 = $\pm 0.5$ >315-1000 = $\pm 0.8$ ANGLES = $\pm 3'$		TITLE: 銅圈 174u : 銅鍍鎳
CHKD:		UNIT: mm	PART NO: RG174179SLEEVE
DR:		SCALE: 6/1	DRAWING NO: 04-0520
		SHEET: .	